

SWPPP GENERAL NOTES:

A COPY OF THE PERMIT SHALL BE POSTED ON-SITE AT ALL TIMES.

A COPY OF THE APPROVED STORM WATER POLLUTION PREVENTION PLAN (SWPPP), NOTICE OF INTENT (NOI) AND RELATED DOCUMENTS SHALL BE MAINTAINED ON THE SITE AND AVAILABLE FOR REVIEW UPON REQUEST.

THE CONTRACTOR SHALL BE DESIGNATED A CO-FERMITTEE TO THE GENERAL CONSTRUCTION STORM WATER NATIONAL POLLUTANT DISCHARGE ELIMINATION SYSTEM (NPDES) REQUIREMENTS UNDER THE T.D.E.C. ENVIRONMENTAL PROTECTION AGENCY (EPA) GENERAL PERMIT.

ALL CONTRACTORS AND SUB-CONTRACTORS SHALL PROVIDE SIGNATURES TO THE OWNER ACKNOWLEDGING THAT THEY REVIEWED AND UNDERSTAND THE CONDITIONS AND RESPONSIBILITIES OF THE GENERAL PERMIT AND SWPPP. THESE SIGNATURES SHALL BE PROVIDED PRIOR TO THE COMMENCEMENT OF WORK ON THE CONSTRUCTION SITE.

EROSION CONTROL MEASURES SHALL BE INSTALLED PRIOR TO INITIAL DISTURBANCE ACTIVITIES OR AS SOON AS PRACTICAL. THE CONTRACTOR SHALL COMPLY WITH THE TERMS AND CONDITIONS OF THE TENNESSEE EPA GENERAL PERMIT AND THE STORM WATER POLLUTION PREVENTION PLAN (SWPPP) DEVELOPED FOR THE PROJECT.

DURING CONSTRUCTION, THE CONTRACTOR SHALL PROVIDE PROPER SOIL EROSION MEASURES FOR PROTECTION OF ALL ADJOINING ROADS, LANDS, AND STREAMS. REFER TO S.C.S. MANUAL "RAINWATER AND LAND DEVELOPMENT" AND T.D.E.C. "EROSION & SEDIMENT CONTROL HANDBOOK" FOR REQUIREMENTS.

ALL EROSION AND SEDIMENT CONTROL MEASURES SHALL BE PLACED PRIOR TO OR AS THE FIRST STEP IN CLEARING AND GRUBBING. THE CONTRACTOR SHALL PROVIDE SEDIMENT CONTROL AT ALL POINTS WHERE STORM WATER LEAVES THE LIMITS OF THE PROJECT, ALL POINTS WHERE STORM WATER ENTERS A STREAM THAT TRAVERSES THE PROJECT, AND ALL POINTS WHERE STORM WATER ENTERS PORTIONS OF COMPLETED UNDERGROUND PIPING.

THE SWPPP PLAN IS A DYNAMIC PLAN BASED UPON SITE CONDITIONS AND THE CONSTRUCTION SCHEDULE. THE CONTRACTOR SHALL BE RESPONSIBLE FOR MAINTAINING AND UPDATING THE SWPPP AS THE PROJECT PROCEEDS.

THE CONSTRUCTION BMP'S WITHIN THESE PLANS REPRESENT THE MINIMUM REQUIRED ONSITE. THE CONTRACTOR SHALL PROVIDE AND MAINTAIN ONSITE BMP'S AS THE PROJECT PROGRESSES.

THE CONTRACTOR SHALL PROVIDE QUALIFIED INSPECTION PERSONNEL TO CONDUCT INSPECTIONS PER SECTION 3.5.8 OF THE TENNESSEE GENERAL PERMIT. RECORDS OF THESE INSPECTIONS SHALL BE KEPT AND MADE AVAILABLE TO THE OWNER, THE OWNER'S REPRESENTATIVE, OR THE JURISDICTIONAL AGENCIES IF REQUESTED.







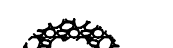

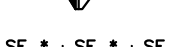
AT A MINIMUM, ALL CONTROLS ON THE SITE SHALL BE INSPECTED AT LEAST TWICE PER CALENDAR WEEK AND WITHIN 24 HOURS AFTER ANY STORM EVENT GREATER THAN 1/4" OF RAIN PER 24 HOUR PERIOD. INSPECTION PERIOD SHALL BE AT LEAST 72 HOURS APART.

THE CONTRACTOR SHALL BE RESPONSIBLE FOR THE MAINTENANCE AND REPAIR OF ALL TEMPORARY AND PERMANENT CONTROL PRACTICES TO ENSURE CONTINUED PERFORMANCE OF THEIR INTENDED FUNCTION. SHOULD A STRUCTURE OR FEATURE BECOME DAMAGED, THE CONTRACTOR SHALL REPAIR OR REPLACE AT NO ADDITIONAL COST TO THE OWNER.

ONCE CONSTRUCTION ACTIVITIES HAVE BEEN COMPLETED AND THE SITE HAS MET FINAL STABILIZATION REQUIREMENTS WITH ALL TEMPORARY BMP'S REMOVED, THE AUTHORIZED SITE REPRESENTATIVE MAY FILE A NOTICE OF TERMINATION (NOT) WITH T.D.E.C.




LEGEND

-  CONCRETE WASHOUT
-  CHECK DAM
-  OUTLET PROTECTION
-  SEEDING WITH MULCH (ALL DISTURBED AREAS NOT RECEIVING MATTING)
-  ROLLED EROSION CONTROL PRODUCTS (ALL SLOPES 2.5:1 OR GREATER)
-  CONSTRUCTION EXIT
-  FILTER RING
-  SEDIMENT TRAP WITH ENHANCED ROCK CHECK DAM
-  SILT FENCE

NOTE: TWO LETTER DESIGNATIONS REFER TO THE T.D.E.C. EROSION CONTROL AND SEDIMENT HANDBOOK.

NO.	DATE	DESCRIPTION	BY	CHKD

**MID - TENN ENGINEERING CO.**  
 648 HIGHWAY 52 BYPASS W.  
 LAFAYETTE, TN 37153  
 606-538-5385



JACKIE GREGORY  
 PHASE II - POULTRY HOUSES  
 RED BOILING SPRINGS, TENNESSEE

**CLEARING AND GRUBBING PLAN**



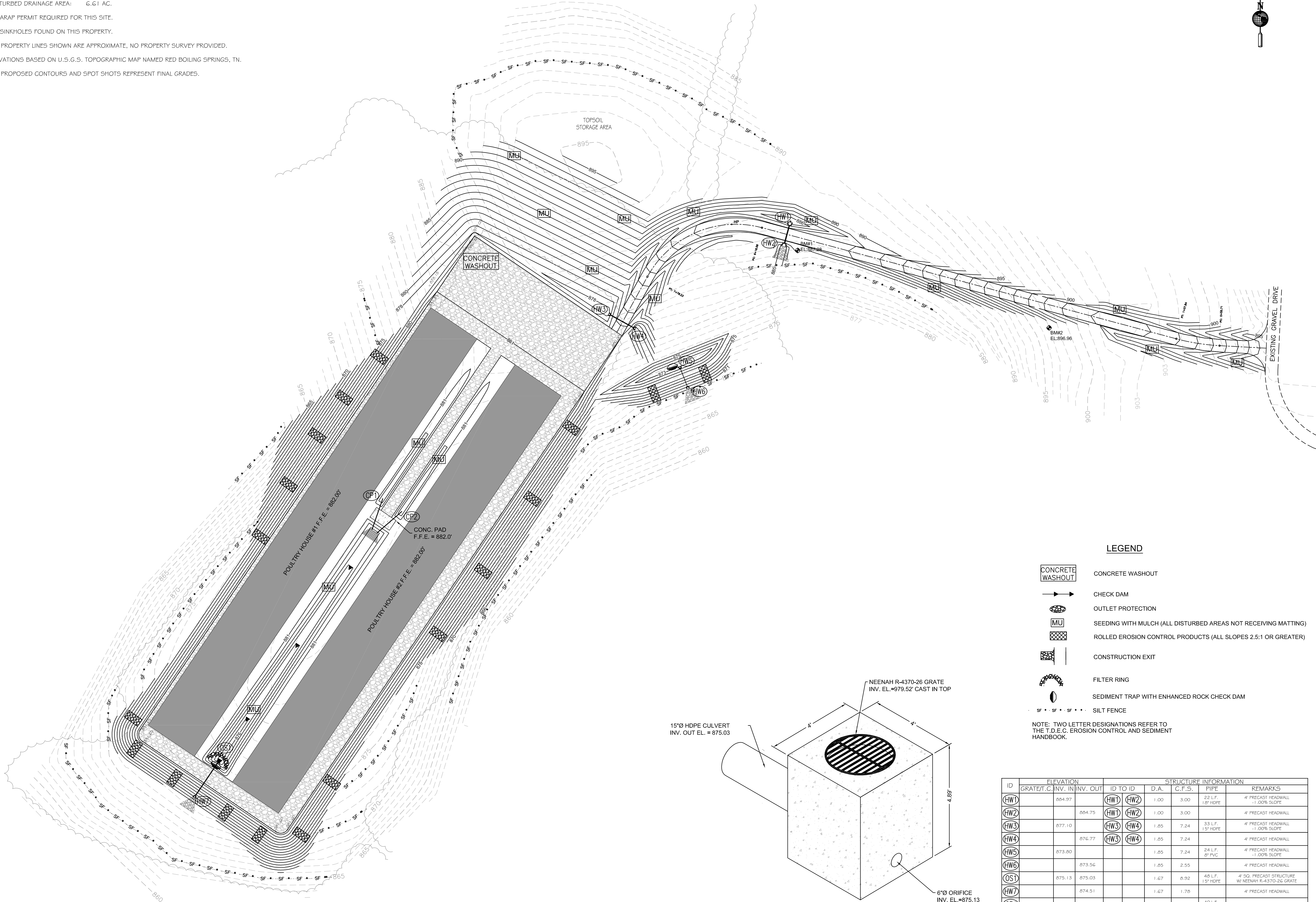
CREATED BY:	E.J.W.	DATE:	08-31-18	JOB NO.:	569806
DESIGNED BY:	E.J.W.	SCALE:	1" = 50'		

SHEET  
**C1**



**NOTES:**

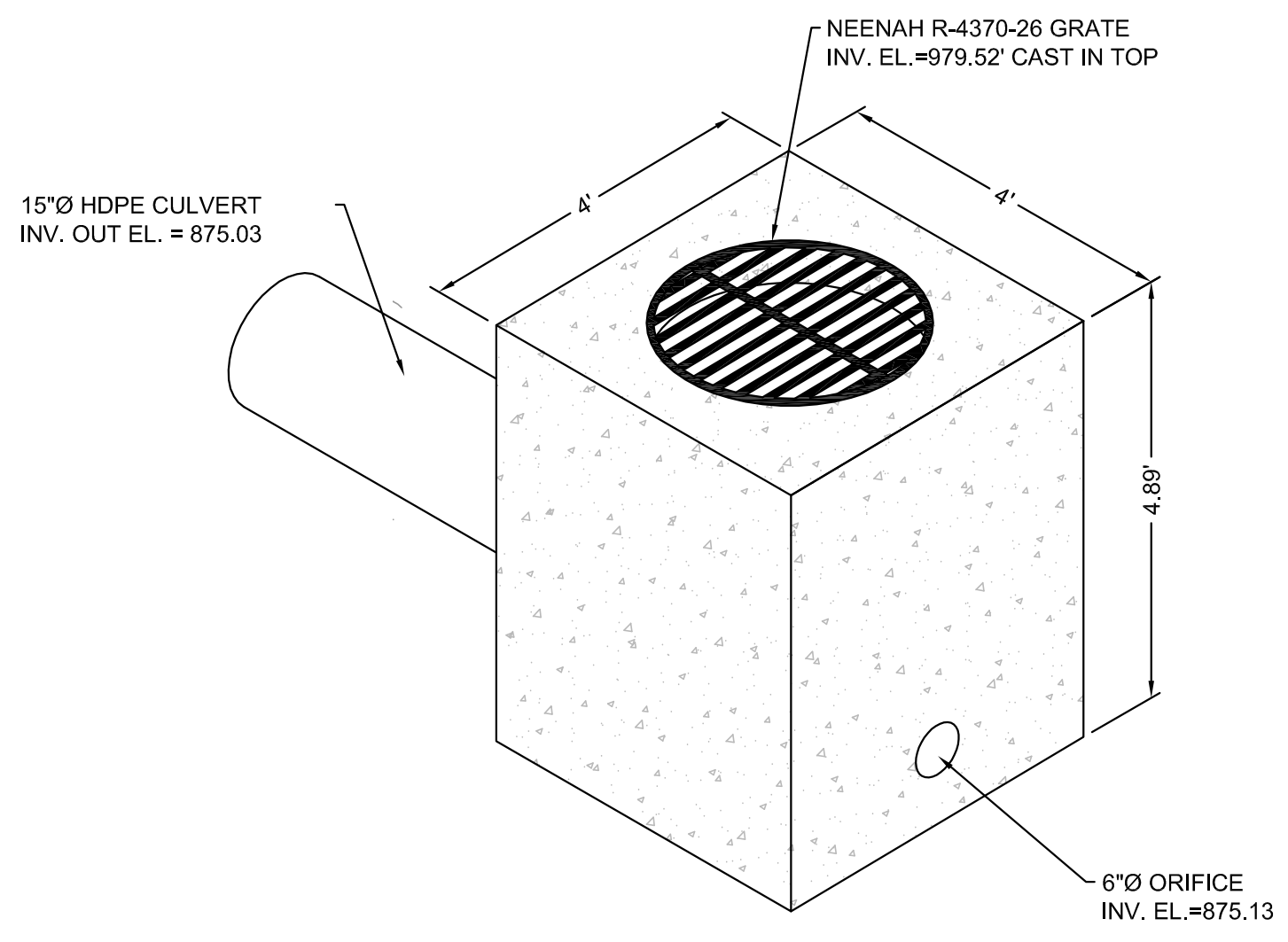
TOTAL DRAINAGE AREA OF SITE: 1.54 AC.  
 DISTURBED DRAINAGE AREA: 6.61 AC.  
 NO ARAP PERMIT REQUIRED FOR THIS SITE.  
 NO SINKHOLES FOUND ON THIS PROPERTY.  
 ALL PROPERTY LINES SHOWN ARE APPROXIMATE. NO PROPERTY SURVEY PROVIDED.  
 ELEVATIONS BASED ON U.S.G.S. TOPOGRAPHIC MAP NAMED RED BOILING SPRINGS, TN.  
 ALL PROPOSED CONTOURS AND SPOT SHOTS REPRESENT FINAL GRADES.



**LEGEND**

- CONCRETE WASHOUT
- CHECK DAM
- OUTLET PROTECTION
- SEEDING WITH MULCH (ALL DISTURBED AREAS NOT RECEIVING MATTING)
- ROLLED EROSION CONTROL PRODUCTS (ALL SLOPES 2.5:1 OR GREATER)
- CONSTRUCTION EXIT
- FILTER RING
- SEDIMENT TRAP WITH ENHANCED ROCK CHECK DAM
- SILT FENCE

NOTE: TWO LETTER DESIGNATIONS REFER TO THE T.D.E.C. EROSION CONTROL AND SEDIMENT HANDBOOK.



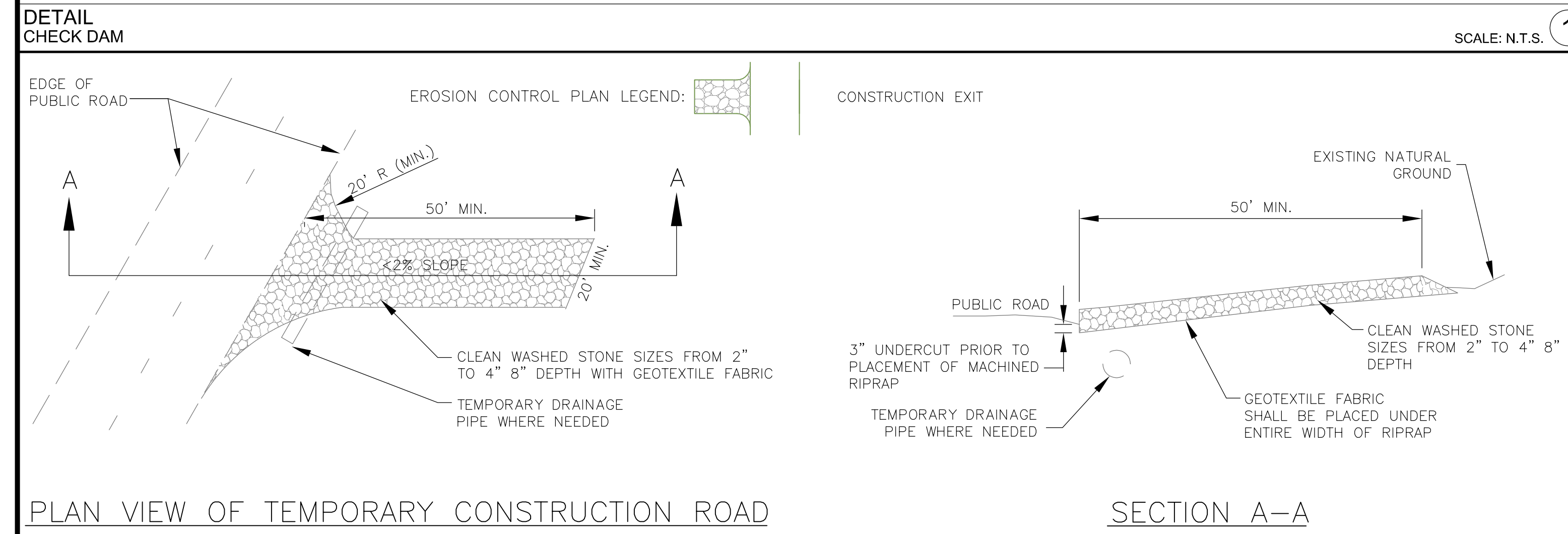
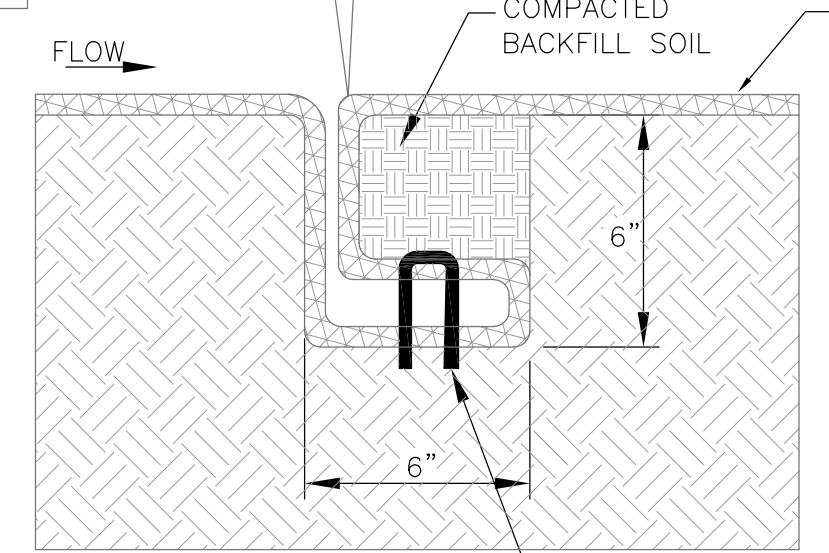
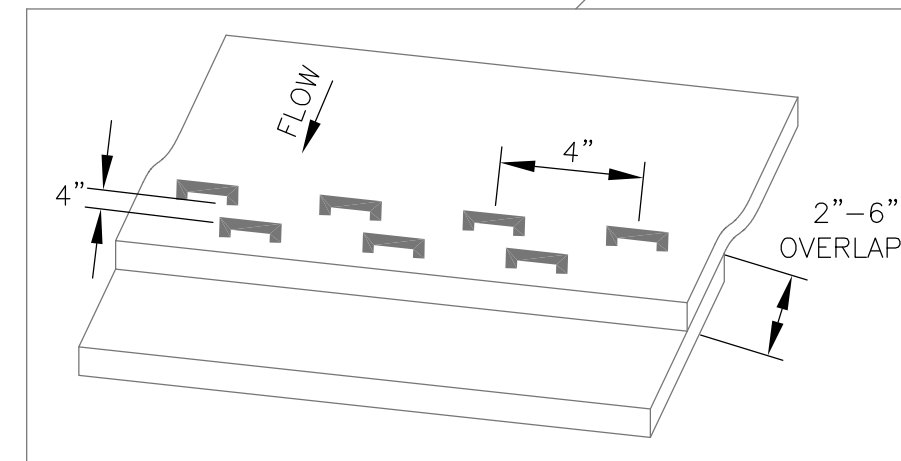
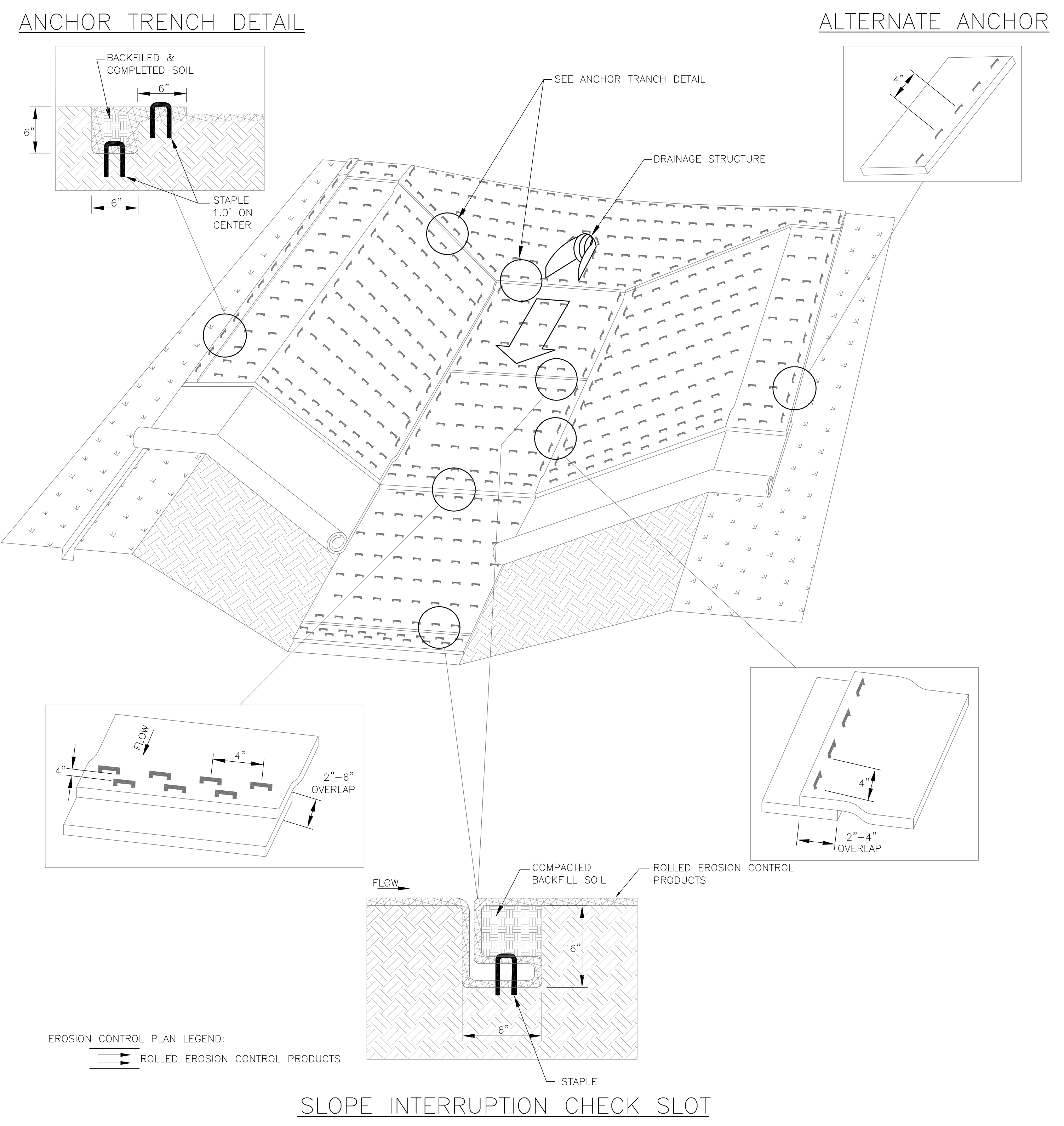
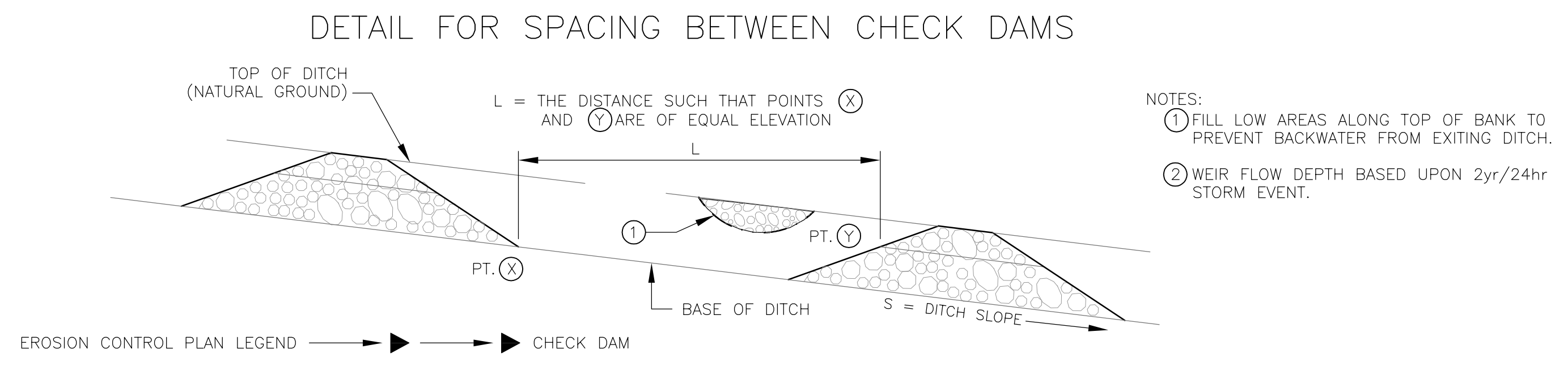
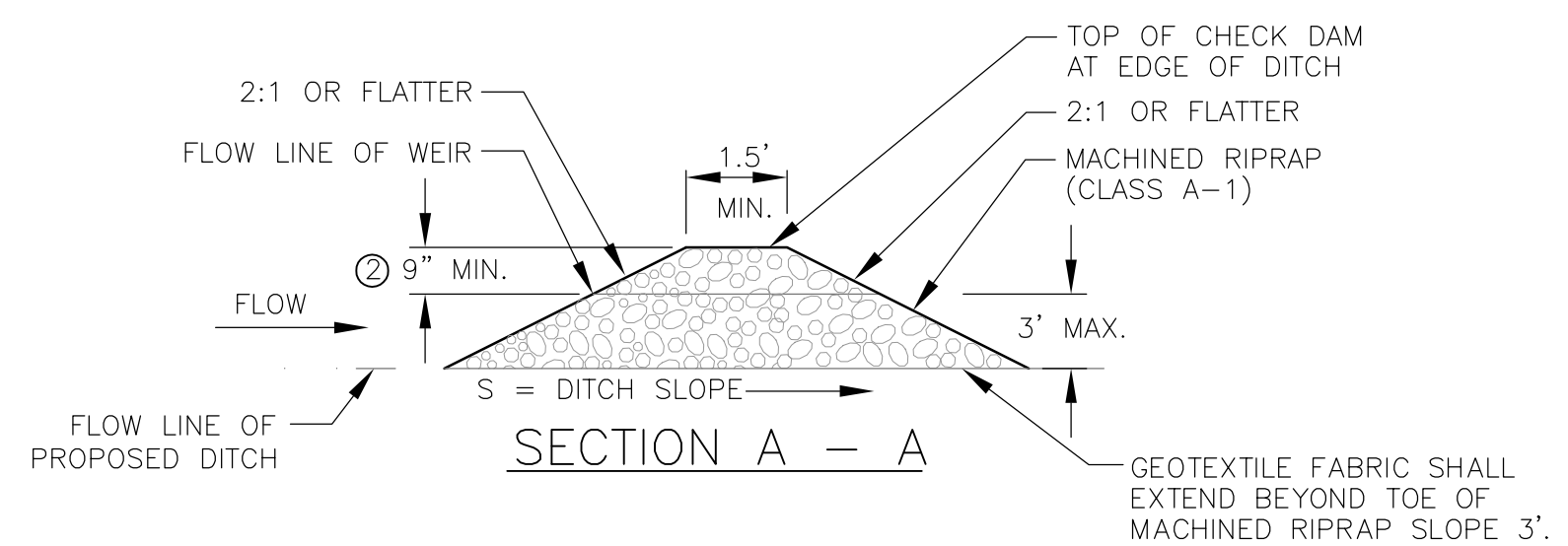
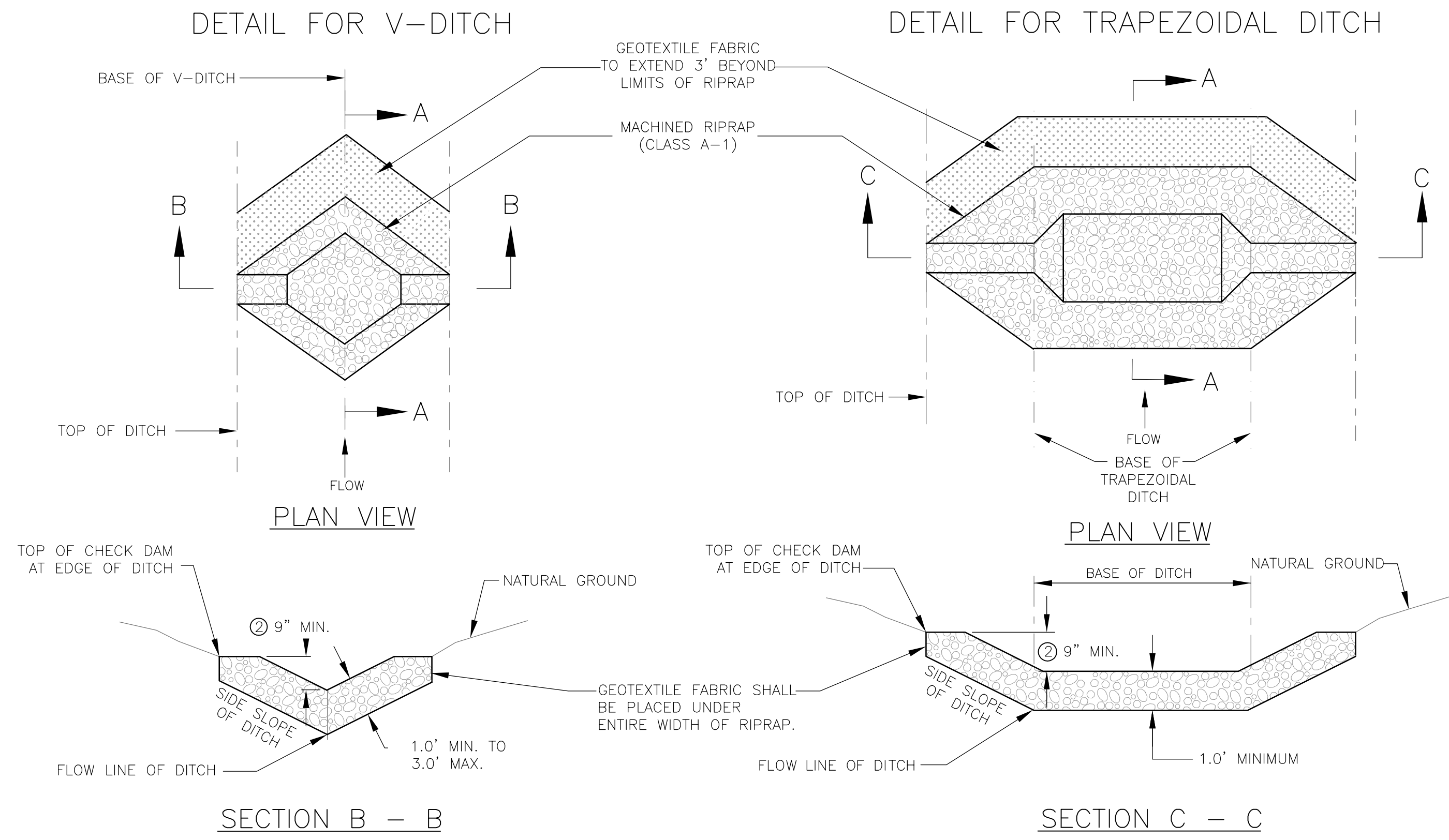
TYPICAL OUTLET STRUCTURE

ID	ELEVATION		STRUCTURE INFORMATION				REMARKS
	GRATE/T.C.	INV. IN/OUT	ID TO ID	D.A.	C.F.S.	PIPE	
HW1		884.97	HW1 HW2	1.00	3.00	22 L.F. 12" HDPE	4' PRECAST HEADWALL -1.00% SLOPE
HW2		884.75	HW1 HW2	1.00	3.00		4' PRECAST HEADWALL
HW3		877.10	HW3 HW4	1.85	7.24	33 L.F. 15" HDPE	4' PRECAST HEADWALL -1.00% SLOPE
HW4		876.77	HW3 HW4	1.85	7.24		4' PRECAST HEADWALL
HW5		873.80		1.85	7.24	24 L.F. 8" PVC	4' PRECAST HEADWALL -1.00% SLOPE
HW6		873.56		1.85	2.55		4' PRECAST HEADWALL
OST		875.13		1.67	8.92	48 L.F. 15" HDPE	4' SQ. PRECAST STRUCTURE W/ NEENAH R-4370-26 GRATE
HW7		874.51		1.67	1.78		4' PRECAST HEADWALL
CP1		878.80		0.26	2.33	40 L.F. 12" HDPE	-1.00% SLOPE
CP2		878.80		0.26	2.33	40 L.F. 12" HDPE	-1.00% SLOPE

NOTE: ALL DRAINAGE STRUCTURES DRAIN INTO AN UNNAMED TRIBUTARY TO SALT LICK CREEK.

<p><b>MID - TENN ENGINEERING CO.</b>                  648 HIGHWAY 52 BYPASS W.                  LAFAYETTE, TN 37135                  606-5385</p>	<p><b>JACKIE GREGORY PHASE II - POULTRY HOUSES RED BOILING SPRINGS, TENNESSEE</b></p>
<p><b>PROPOSED GRADING PLAN</b></p>	
<p>CREATED BY: E.J.W.                  DATE: 08-31-18                  SHEET NO.: 569806</p>	<p>DESIGNED BY: E.J.W.                  DRAWN BY: E.J.W.                  SCALE: 1" = 50'</p>
<p><b>C2</b></p>	
<p>NO. DATE DESCRIPTION REVISIONS</p>	





**CALL BEFORE YOU DIG**

**UTILITIES PROTECTION CENTER**

**IN TENNESSEE**

**CALL 811**

**THREE WORKING DAYS BEFORE YOU DIG**

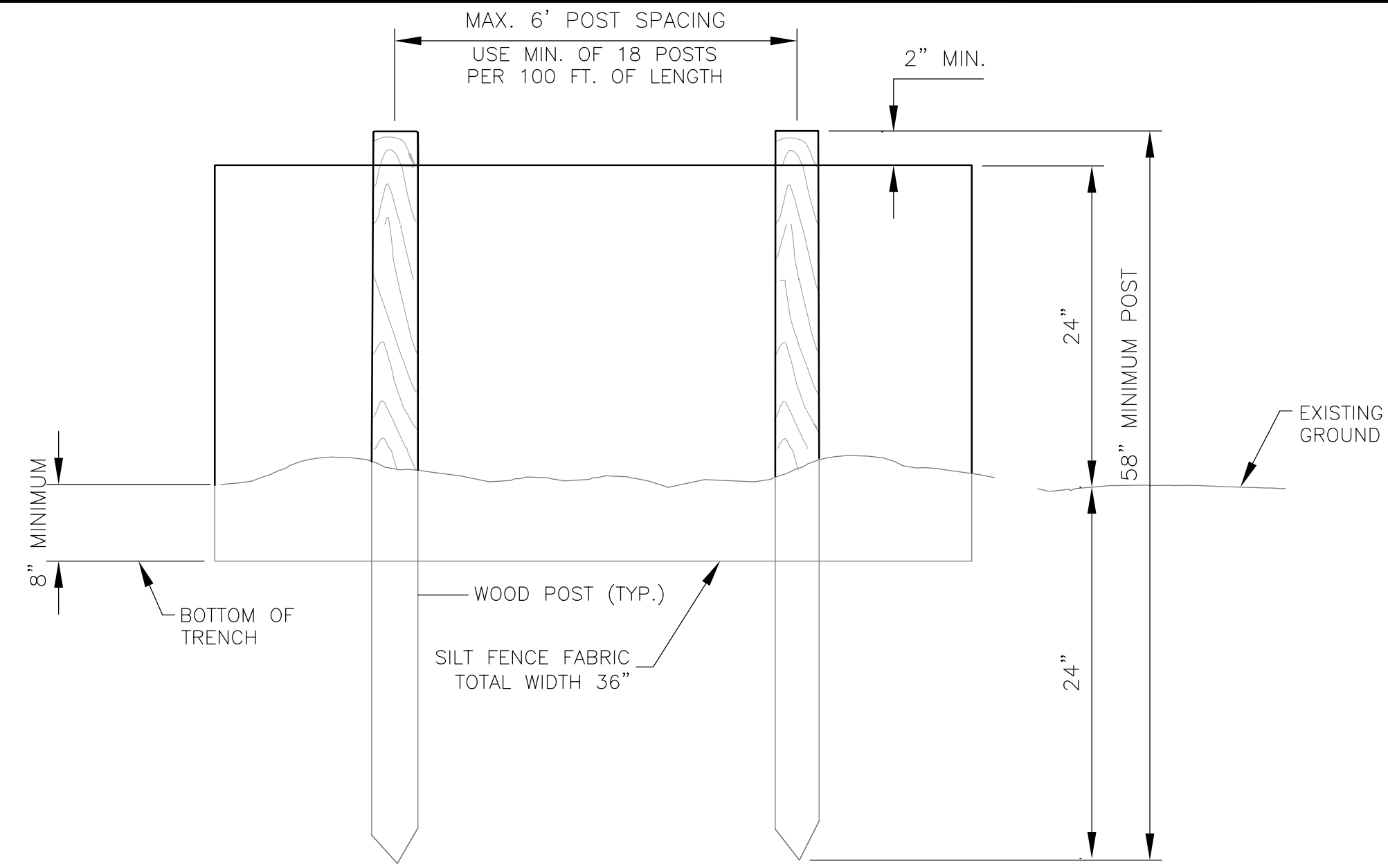
IT IS THE CONTRACTOR'S RESPONSIBILITY TO CONTACT UTILITY COMPANIES PRIOR TO ANY CONSTRUCTION. THE LOCATION OF UTILITIES SHOWN ON THESE PLANS ARE APPROXIMATE AND POSSIBLY INCOMPLETE.

SCALE: N.T.S. ④

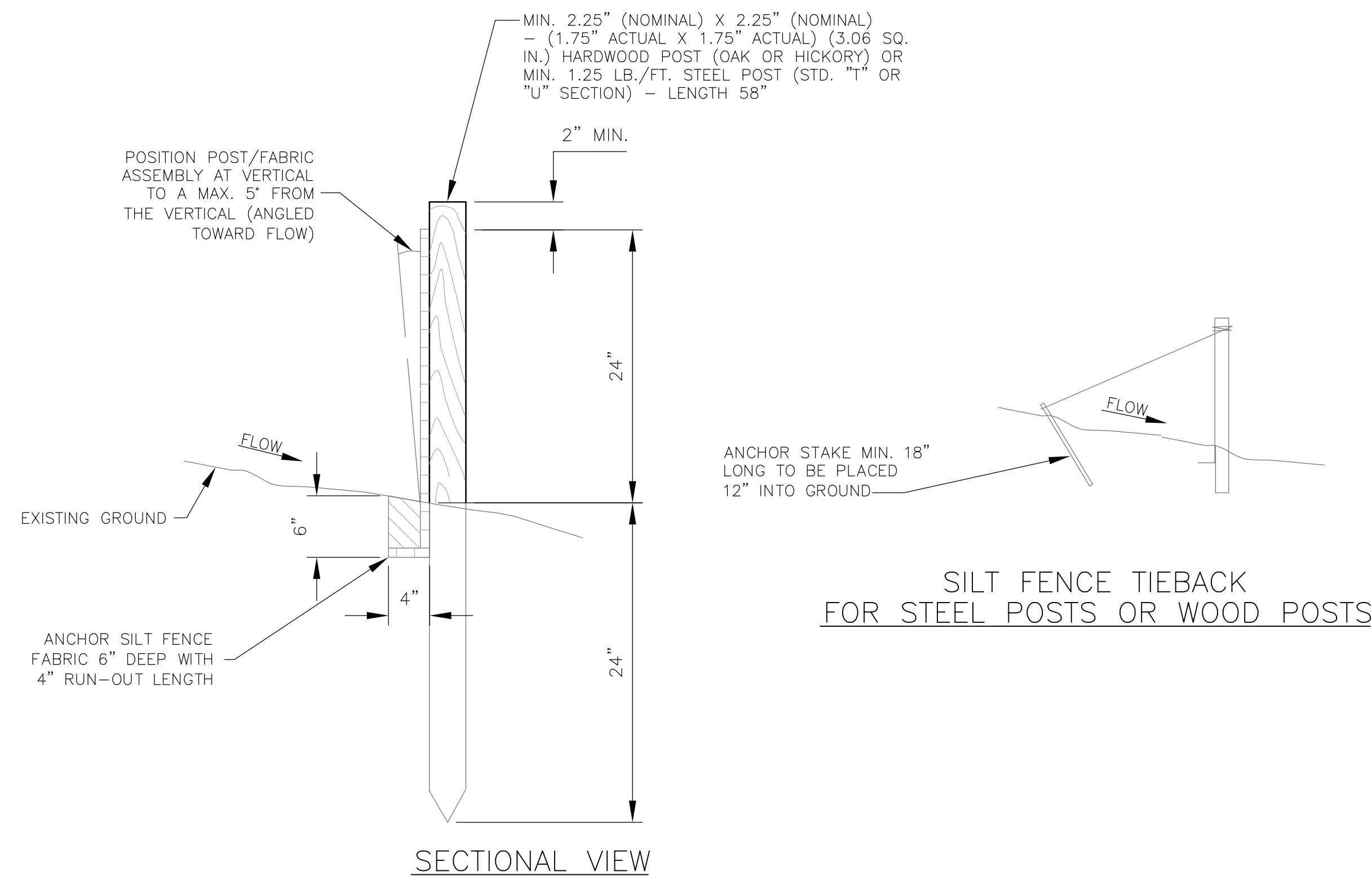


NO.	DATE	DESCRIPTION	BY	CHK
<b>MID-TENN ENGINEERING CO.</b> 646 HIGHWAY 52 BYPASS W. LAFAYETTE, TN 37155 666-5355				
<b>POULTRY HOUSE SWPPP</b> <b>JACKIE GREGORY</b> <b>RED BOILING SPRINGS, TENNESSEE</b>				
<b>STANDARD SWPPP DETAILS</b>				
SCALE:	N.T.S.	JOB NO.:	569806	
DESIGNED BY:	C.A.B.	DATE:	08-31-18	
DRAWN BY:	E.J.W.	CHECKED BY:	E.J.W.	
SHEET	3			
OF	5			





ELEVATION VIEW



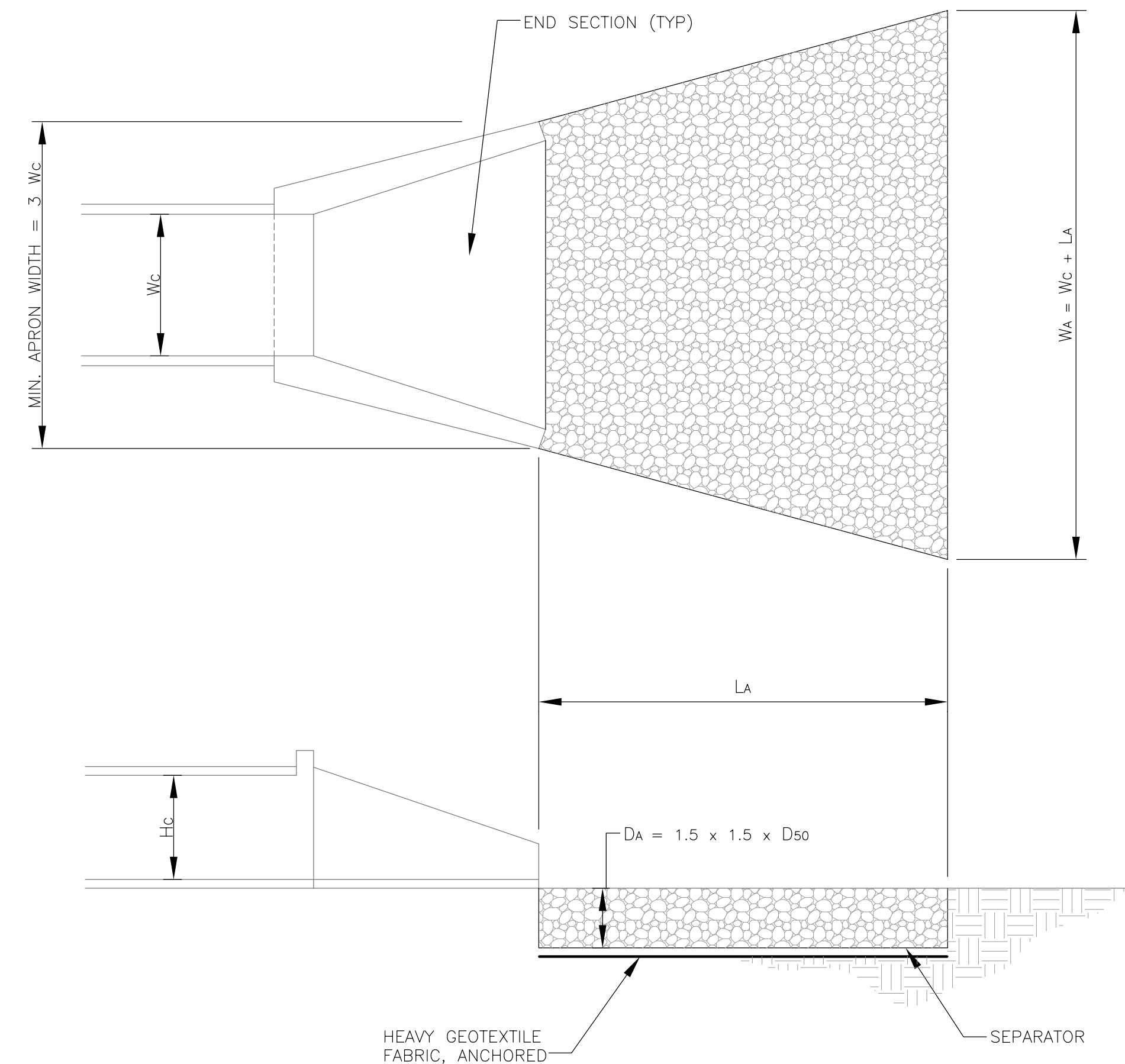
SECTIONAL VIEW

EROSION CONTROL PLAN LEGEND: SF \* - SF \*\* - SILT FENCE

DETAIL SILT FENCE

SCALE: N.T.S.

1 DETAIL OUTLET PROTECTION



TAILWATER < 0.5 Hc AND ASSUMING FULL CULVERT FLOW (LOW TAILWATER CONDITIONS)

Hc = HEIGHT OF CULVERT  
Wc = WIDTH OF CULVERT  
La = LENGTH OF RIP-RAP APRON  
Wa = WIDTH OF RIP-RAP APRON AT END  
D50 = MEDIAN RIP-RAP SIZE  
Dmax = MAXIMUM SIZE OF RIP-RAP = 1.5 D50  
Da = DEPTH OF RIP-RAP APRON = 1.5 Dmax  
SEPARATOR = GEOTEXTILE UNDERLAYMENT OR GRAVEL FILTER BLANKET

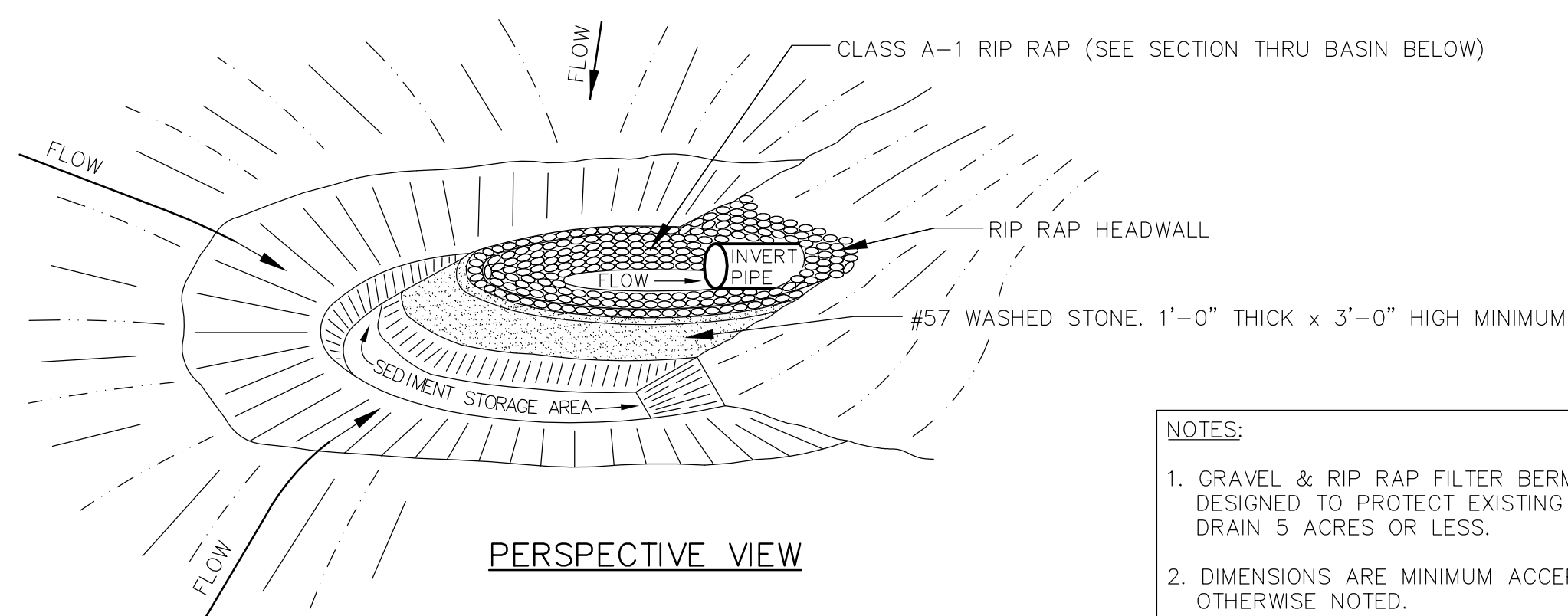
EROSION CONTROL PLAN LEGEND: OP

OUTLET SCHEDULE

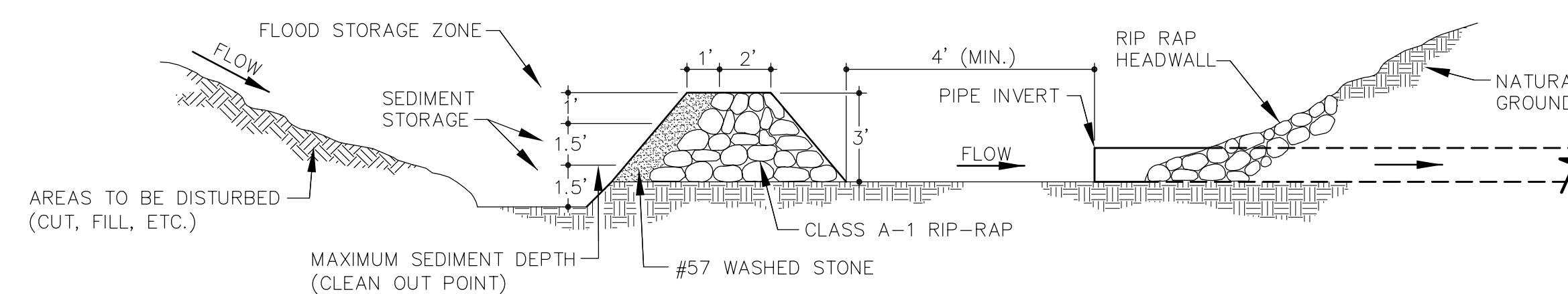
ID	Wc (FT.)	Wa (FT.)	La (FT.)	Hc (FT.)	Da (FT.)	APRON WIDTH (FT.)	RIP-RAP CLASS
HW2	1.5	10.5	9	1.5	0.67	4.5	A-1
HW4	1.25	9.25	8	1.25	0.67	3.75	A-1
HW6	0.67	8	7	0.67	0.67	2.0	A-1
HW7	1.25	9.25	8	1.25	0.67	3.75	A-1

SCALE: N.T.S.

2



NOTES:  
1. GRAVEL & RIP RAP FILTER BERM BASIN DETAIL IS DESIGNED TO PROTECT EXISTING PIPE INVERTS THAT DRAIN 5 ACRES OR LESS.  
2. DIMENSIONS ARE MINIMUM ACCEPTABLE UNLESS OTHERWISE NOTED.



SECTION THRU BASIN, FILTER AND CULVERT PIPE

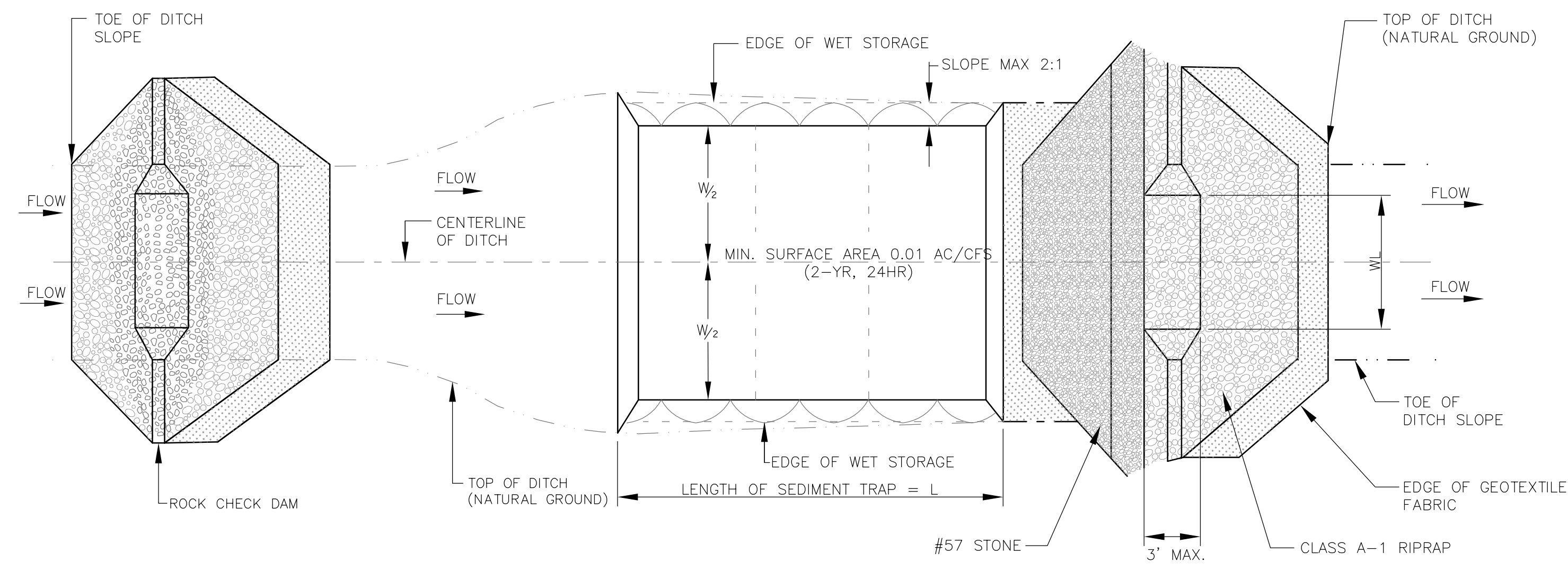
DETAIL FILTER RING

SCALE: N.T.S.

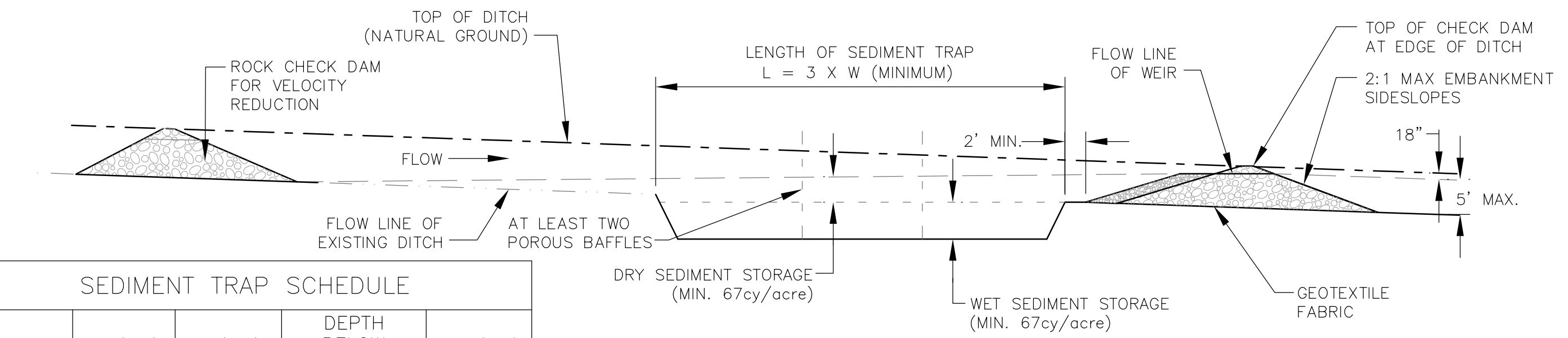
3







PLAN VIEW



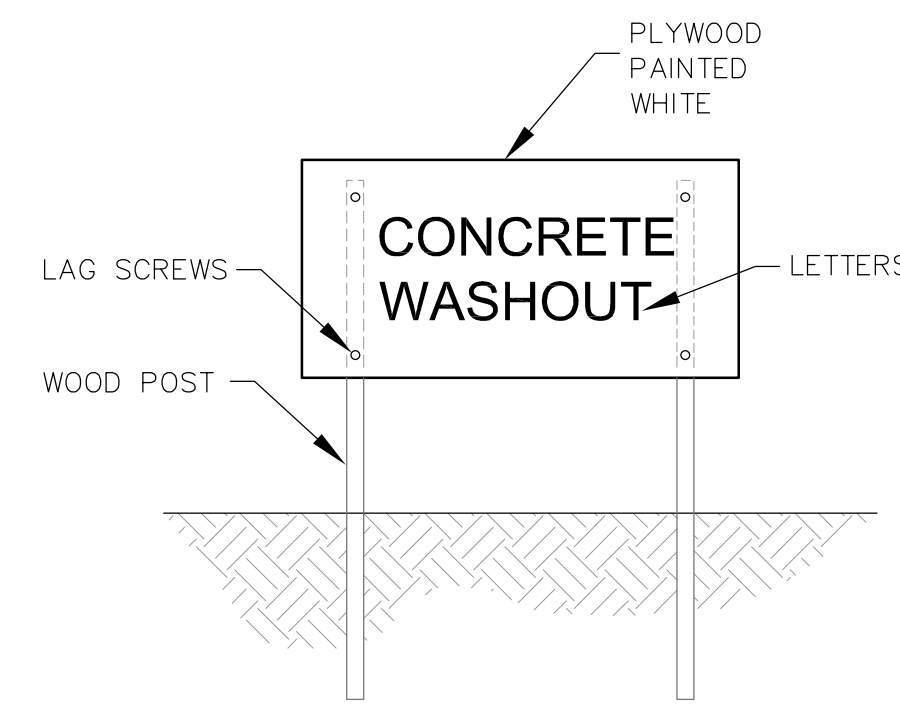
PROFILE VIEW

SEDIMENT TRAP SCHEDULE				
OUTLET ID	W (FT.)	L (FT.)	DEPTH BELOW INVERT (FT.)	WL (FT.)
OS1 & HW4	11	76	4	4

EROSION CONTROL PLAN LEGEND: SEDIMENT TRAP WITH ENHANCED ROCK CHECK DAM

DETAIL SEDIMENT TRAP

SCALE: N.T.S. ①



CONCRETE WASHOUT SIGN (OR EQUIVALENT)

- NOTES:
1. ACTUAL LAYOUT DETERMINED IN THE FIELD.
  2. SIGNAGE IDENTIFYING THE CONCRETE WASHOUT AREA SHALL BE INSTALLED WITHIN 5FT. OF THE WASHOUT FACILITY.

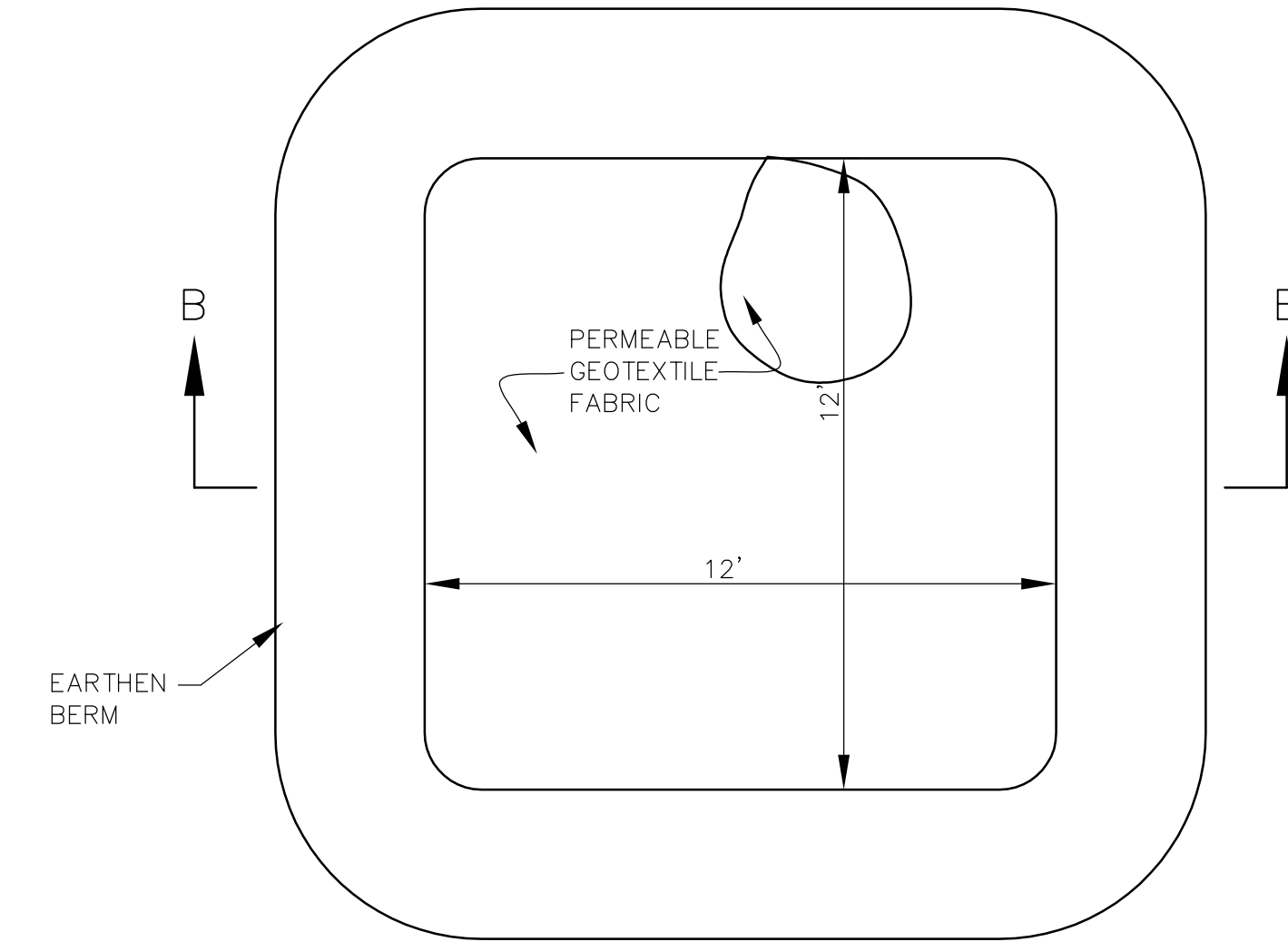
EROSION CONTROL PLAN LEGEND: CONCRETE WASHOUT

DETAIL CONCRETE WASHOUT

SCALE: N.T.S. ②



SECTION B-B  
NOT TO SCALE



PLAN VIEW  
NOT TO SCALE

TYPE "ABOVE GRADE"  
WITH EARTHEN BERMS



NO.	DATE	DESCRIPTION	BY	CHKD

MID - TENN  
 ENGINEERING CO.  
 646 HIGHWAY 52 BYPASS W.  
 LAFAYETTE, TN 37153 666-3385

POULTRY HOUSE SWPPP  
 JACKIE GREGORY  
 RED BOILING SPRINGS, TENNESSEE

STANDARD SWPPP DETAILS

SCALE:	N.T.S.	JOB NO.:	569806
CHECKED BY:	C.A.B.	DATE:	08-31-18
DESIGNED BY:	E.J.W.	DRAWN BY:	E.J.W.

SHEET 5 OF 5